

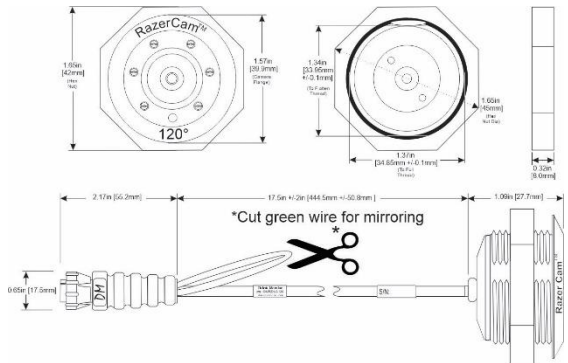
User Manual

RazerCam™ CVBS 120° NTSC Camera

Camera Specifications	
Description	This RazerCam™ kit includes one (1) CVBS 120° NTSC panel mount camera and hex nut.
Part Numbers	DMRZ-LC120
Video System	NTSC
Video Type	CVBS
Image Pick-up Device	CMOS
Horizontal Resolution	480P
Minimum Illumination	0.01 LUX@F1.2
Image Ratio	16:9
Auto Gain Control	Automatic based on lighting
Scanning System	Progressive
Camera Board Lens	120° Field of View
Operating Temp	-4°F (-20°C) – 158°F (70°C)
Construction	Aluminum Case
Waterproofing Criteria	IP69K
Dimensions	1.76in(44.7mm) (W) x 1.09in(27.7mm) (D)
Camera Connector	5 pin Conxall/ Switchcraft
LED Lighting	Visible White Light
Warranty Period	1 Year

Camera Installation Instructions

1. The opening size for camera mounting should be 1.38in (35.1mm). The perfect hole drill bit size is a 1 3/8 or 35mm. While not perfect, a 1 7/16 or 37mm will work.
2. Make sure that your camera is mounted so that the word “RazerCam” is right side up.
3. Tighten hex nut to hold the camera in place.
4. Near the 5-pin connector on your camera is a small loop of green wire. This wire is your mirroring switch. When the circuit is complete (intact) your camera image is forward-facing. When this circuit is incomplete (cut) your camera is mirrored. It is recommended to place shrink wrap or electrical tape over the exposed wire ends to prevent shorts. If utilizing a Dakota Micro monitor your camera can also be mirrored from the monitor. Your camera will need to be rebooted (powered on/off) for this switch to take effect.
5. Your RazerCam™ camera has an IR array that outputs visible white light. If you mount this camera close to another light source, your viewing in darkened environments will be increased.



Camera Warnings

NEVER RELY ON YOUR DAKOTA MICRO CAMERA AS A SAFETY FEATURE. It is up to your discretion to keep your road travel and other operations safe. Your Dakota Micro camera will provide you with information only based on what it sees. Operation of machinery safety guidelines still apply.

Dakota Micro, Inc. cameras are equipped with an array of light emitters which are visible to the human eye. This feature will aid in low light conditions but has limitations. The effective range of the night vision feature is 1 to 75+ feet. **DO NOT ATTEMPT TO DRIVE MACHINERY USING THIS FEATURE.**

Always read the manual prior to operating this equipment. Also, please follow all safety signs and precautions.

Consumer Limited Warranty

Subject to the disclaimer, limitations and other directions stated hereafter, Dakota Micro, Inc. warrants that the Product will be free from defects in material and workmanship for periods as stated hereafter from the date of original purchase. **THIS WARRANTY IS EXPRESSLY MADE IN LIEU OF ANY AND ALL OTHER WARRANTIES, EXPRESS OR IMPLIED, INCLUDING THE IMPLIED WARRANTIES OF MERCHANTABILITY OR FITNESS. THE EXCLUSIVE REMEDY OF THE BUYER IS LIMITED TO REPAIR OR REPLACEMENT OF THE PRODUCT. EXCEPT AS STATED IN THIS WARRANTY, DAKOTA MICRO, INC. SHALL NOT BE LIABLE FOR ANY LOSS, INCONVENIENCE, OR DAMAGE, INCLUDING DIRECT, SPECIAL, INCIDENTAL, OR CONSEQUENTIAL DAMAGES, RESULTING FROM THE USE OR INABILITY TO USE THE PRODUCT, WHETHER RESULTING FROM BREACH OF WARRANTY, NEGLIGENCE, STRICT LIABILITY OF ANY OTHER LEGAL THEORY.** Any oral statements or representations made by anyone which are contrary to or at variance with the terms stated in this **LIMITED WARRANTY** are void.

Dakota Micro, Inc. will, at its option, either repair the defect or replace the defective Product or part thereof with a new or remanufactured equivalent at no charge to the purchaser for parts or labor for the period of five (5) years for AgCam® /EnduraCam® cameras; three (3) years for InnoPro® cameras; two (2) years for AgCam®/ EnduraCam® monitors, and Wireless components; Twelve (12) Months for all Overview® and RazerCam™ Cameras & Monitors, cables and all other accessories.

In addition to the five (5) years for AgCam® /EnduraCam® cameras Dakota Micro will warranty for the life of the camera against any variety of ingress within the camera housing. This includes moisture and dust particles that are found inside the camera resulting from a manufacturing defect and does not include ingress because of damage caused by no fault of Dakota Micro, Inc.

The Dakota Micro, Inc. limited warranty periods outlined above apply throughout the United States and Canada only. A one (1) year maximum limited warranty for all Products applies to all other geographic locations unless otherwise stated in writing by Dakota Micro, Inc.

This limited warranty does not apply to any issues connected with appearance that have no relation to the performance of the Product nor to any Product the exterior of which has been damaged or defaced, which has been subjected to improper voltage or other misuse, abnormal service or handling, or which has been altered or modified in design or construction.

In order to enforce the rights under this limited warranty, the purchaser should follow the process set forth in the Product Warranty/Repair Process, and provide proof of purchase to Dakota Micro, Inc.

Neither the sales personnel of Dakota Micro, Inc. nor any dealer or any other person is authorized to make any warranties other than those described herein, or to extend the duration of any warranties beyond the time periods described herein.

The warranties described herein shall be the sole and exclusive warranties and remedies provided by Dakota Micro, Inc. Correction of defects, in the manner and for the period of time described herein, shall constitute complete fulfillment of all liabilities and responsibilities of Dakota Micro, Inc. to the purchaser with respect to the Product, and shall constitute full satisfaction of all claims. In no event shall Dakota Micro, Inc. be liable or in any way responsible for any damages or defects in the Product which were caused by repairs or attempted repairs performed by anyone other than Dakota Micro, Inc.

Some states do not allow the limitation or exclusion of incidental or consequential damages, so said limitation may not apply to you.

Any action at law, suit in equity, or other judicial proceeding for the enforcement of any right provided for herein or otherwise, or with respect to any claim that a purchaser may have against Dakota Micro, Inc. shall be instituted only in the Courts of the State of North Dakota, either in the state district court located in Wahpeton, North Dakota or in Federal District Court located in Fargo, North Dakota. Without regard to conflicts of law principles, the laws of the state of North Dakota shall govern the interpretation and enforcement of the terms of this Limited Warranty and all aspects of the relationship between Dakota Micro, Inc., and the purchaser.

This warranty gives you specific legal rights and you may also have other rights, which may vary from state to state.



8659 148½ Ave. SE.
Cayuga, ND 58013

www.dakotamicro.com

Management System Registered to ISO 9001